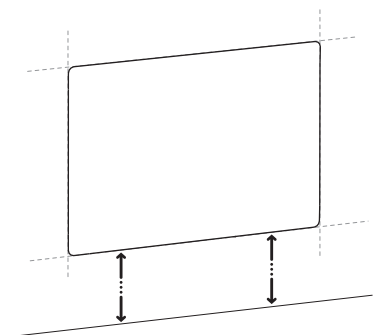


# GLASS BOARD (HIDDEN FIXATION)

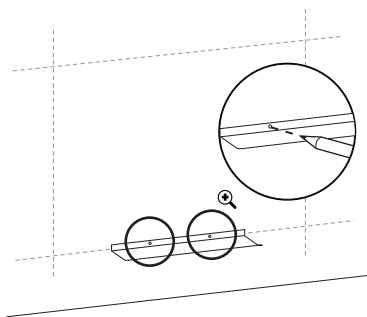
INSTRUCTIONS • INSTRUCTIES • ISTRUZIONI • ANLEITUNG • INSTRUCCIONES • INSTRUÇÕES

1

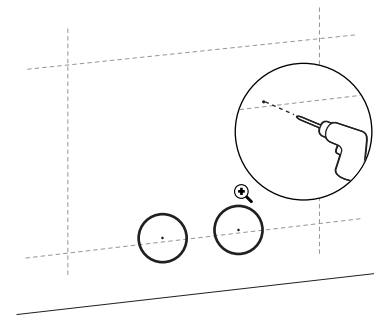


2

1x A1./A2.

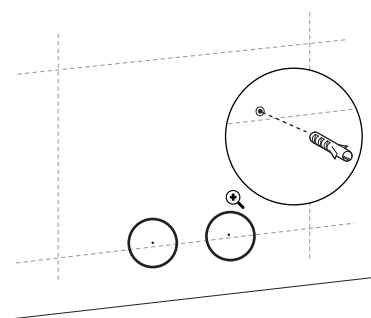


3



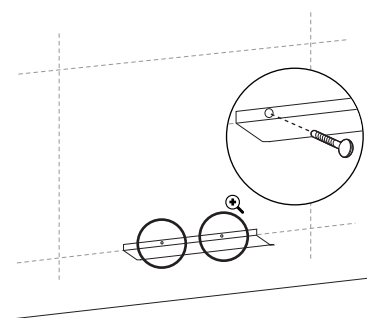
4

2x B1./B2.

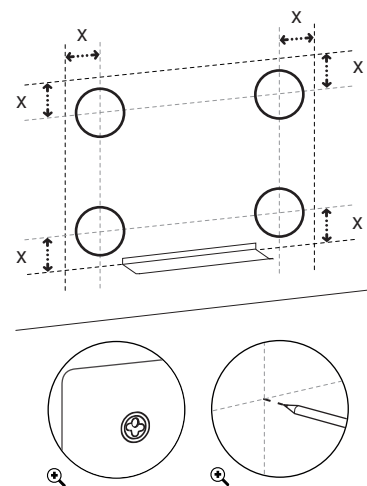


5

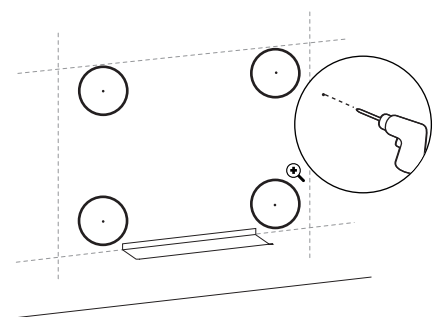
2x C1./C2.



6

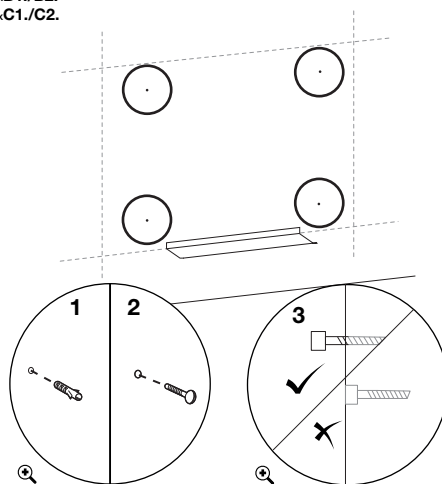


7

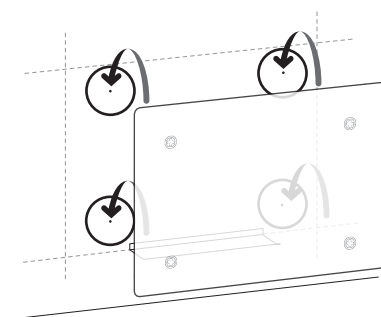


8

4x B1./B2.  
4x C1./C2.



9



A1.1x B1.6x C1.6x  
SOLID WALLS

A2.1x B2.6x C2.6x  
HOLLOW WALLS

