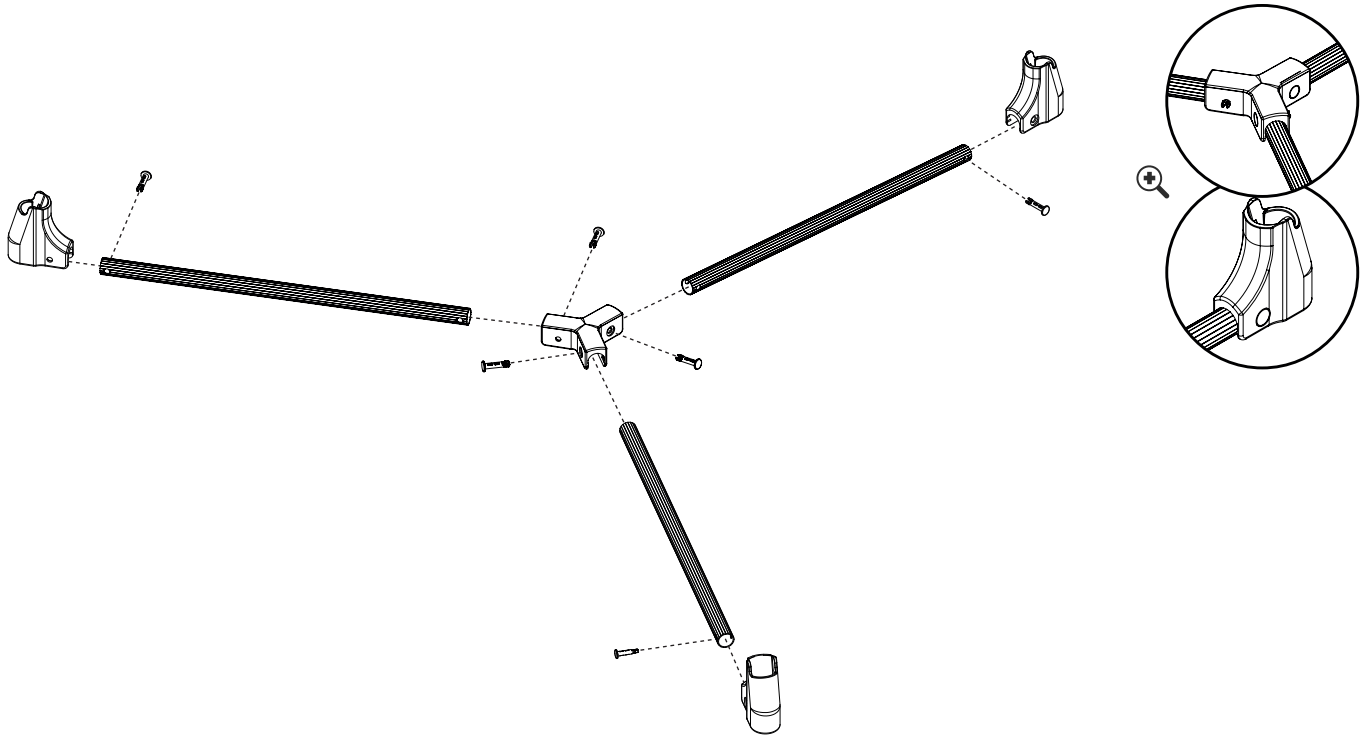


# KYOTO - KIT MOBILE

INSTRUCTIONS • INSTRUCTIES • ISTRUZIONI • ANLEITUNG • INSTRUCCIONES • INSTRUÇÕES

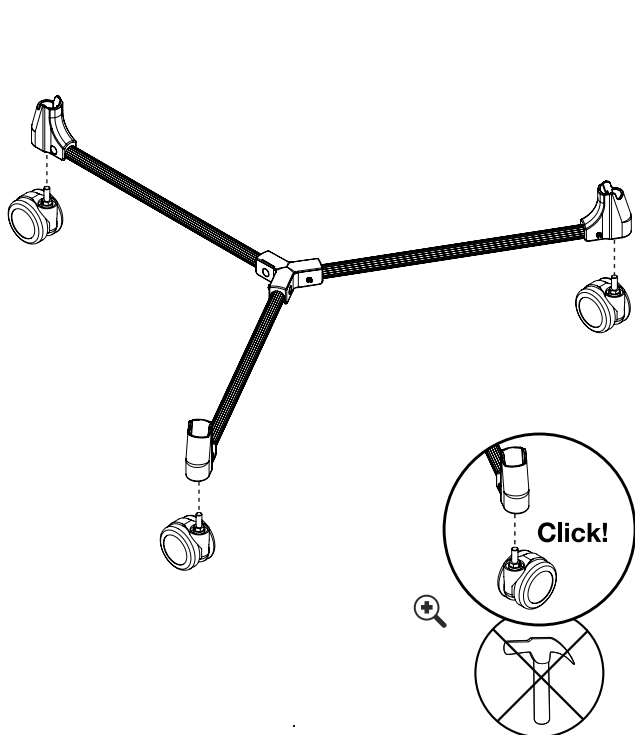
**1**

- 1.A.
- 3.B.
- 3.C.
- 6.D.

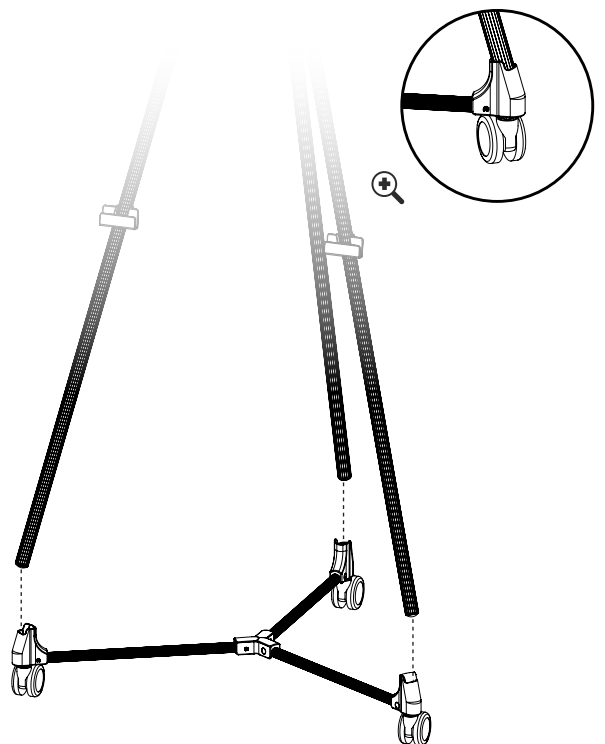


**2**

- 3.E.



**3**



**A.1x**



**B.3x**



**C.3x**



**D.6x**



**E.3x**



1000138010820

