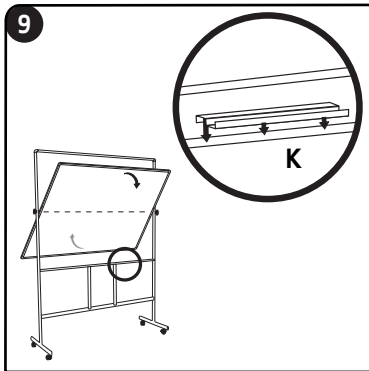
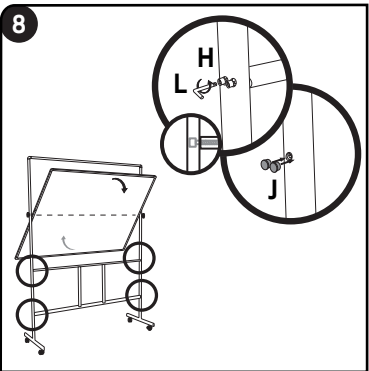
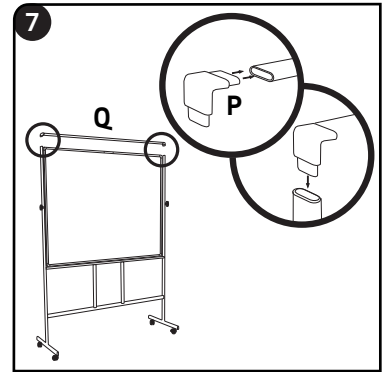
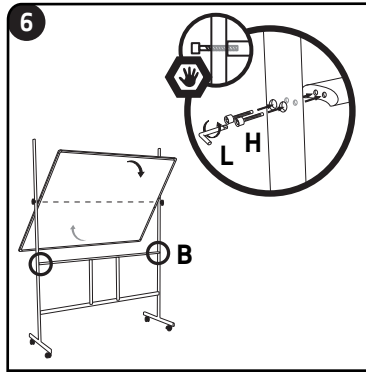
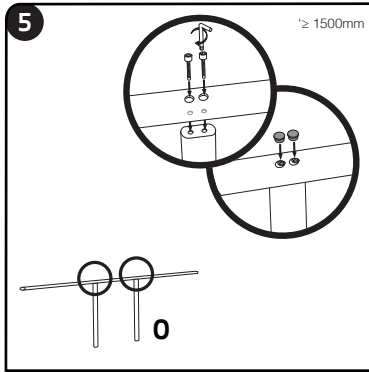
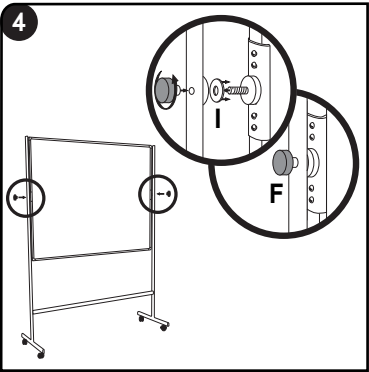
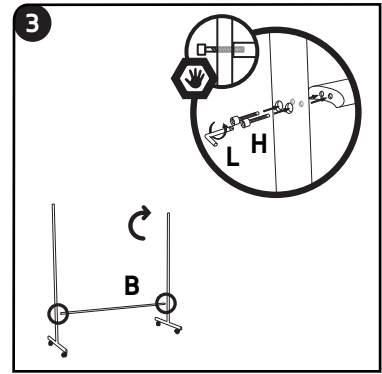
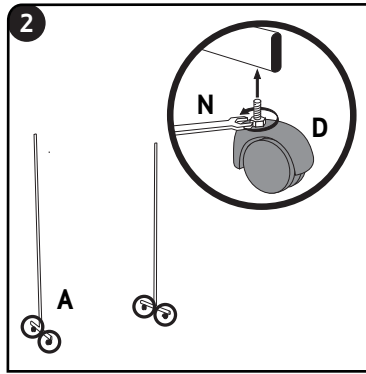
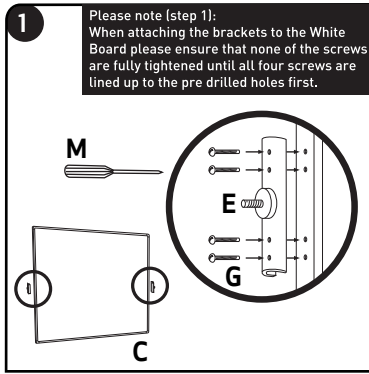


REVOLVER PLUS

INSTRUCTIONS • INSTRUCTIES • ISTRUZIONI • ANLEITUNG • INSTRUCCIONES • INSTRUÇÕES

HORIZONTAL



After the revolver is correctly assembled according to the supplied instructions, and after the revolver board is secured in its place by the use of back knobs, the revolving functions of the revolver may only be used by loosening both knobs, revolving the board to the desired face and tightening both knobs again. Failure to do so, may result in premature tear to the fixing mechanism.

2x A	2x B	1x C	4x D	2x E	2x F	8x G	8x H
2x I	8x J	1x K	1x L	1x M	1x N	2x P	1x Q

$\geq 1500\text{mm}$

2x A	2x B	1x C	4x D	2x E	2x F	8x G	12x H	
2x I	12x J	1x K	1x L	1x M	1x N	2x O	2x P	1x Q



REVOLVER PLUS

INSTRUCTIONS • INSTRUCTIES • ISTRUZIONI • ANLEITUNG • INSTRUCCIONES • INSTRUÇÕES

VERTICAL

1 Please note (step 1):
When attaching the brackets to the White Board please ensure that none of the screws are fully tightened until all four screws are lined up to the pre drilled holes first.

2

3

4

5 $\geq 1500\text{mm}$

6

7

8

9

10

2x A	2x B	1x C	4x D	2x E	2x F	8x G	8x H
2x I	8x J	1x K	1x L	1x M	1x N	2x P	1x Q

$\geq 1500\text{mm}$

2x A	2x B	1x C	4x D	2x E	2x F	8x G	12x H	
2x I	12x J	1x K	1x L	1x M	1x N	2x O	2x P	1x Q

