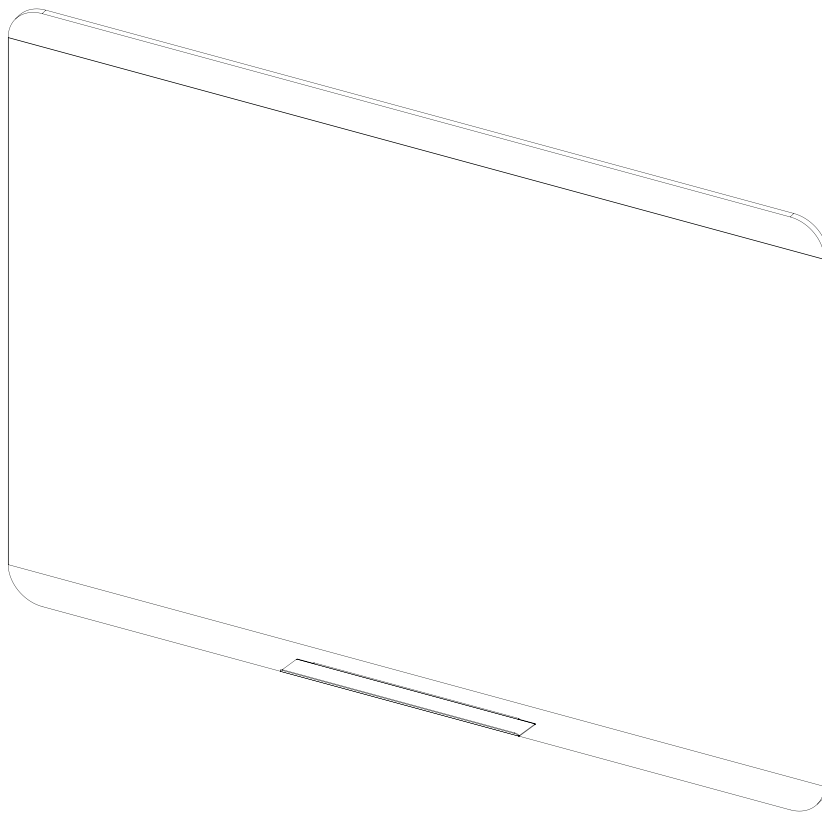


# ACE WHITEBOARD

---

INSTRUCTIONS • INSTRUCTIES • ISTRUZIONI • ANLEITUNG • INSTRUCCIONES • INSTRUÇÕES

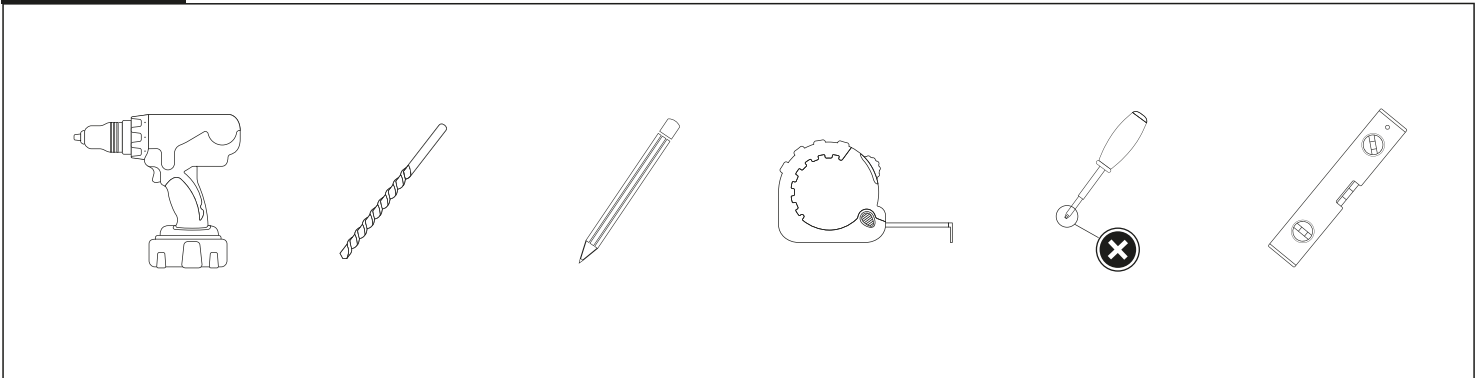


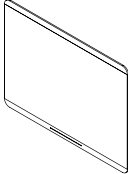
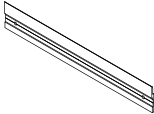



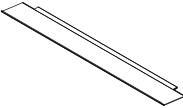
# ACE WHITEBOARD

INSTRUCTIONS • INSTRUCTIES • ISTRUZIONI • ANLEITUNG • INSTRUCCIONES • INSTRUÇÕES



## NOT INCLUDED



<b>A.1x</b> 	<b>B.4x</b> 	<b>C.8x</b> 	<b>D.8x</b> 	<b>C.8x</b> 
<b>SUITABLE FOR SOLID WALLS</b>			<b>SUITABLE FOR DRYWALL</b>	
<b>E.1x</b> 				



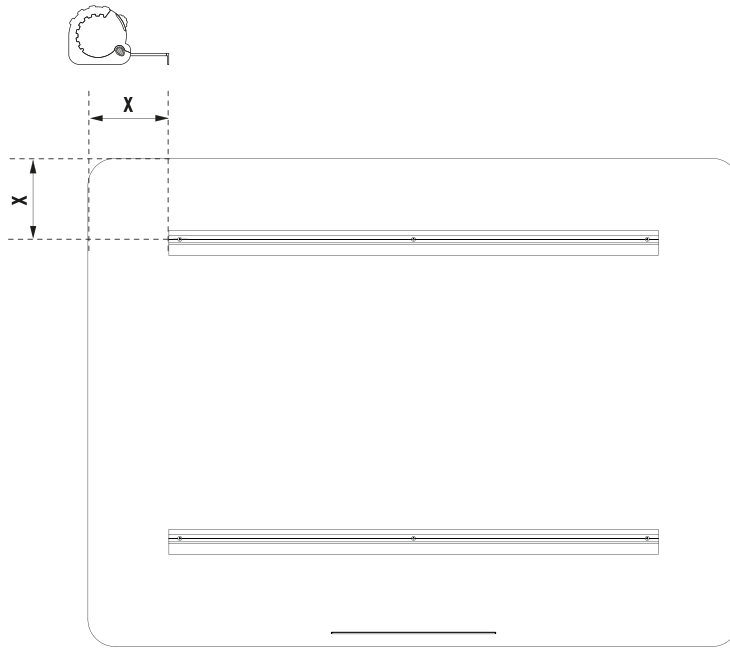
# ACE WHITEBOARD

INSTRUCTIONS • INSTRUCTIES • ISTRUZIONI • ANLEITUNG • INSTRUCCIONES • INSTRUÇÕES



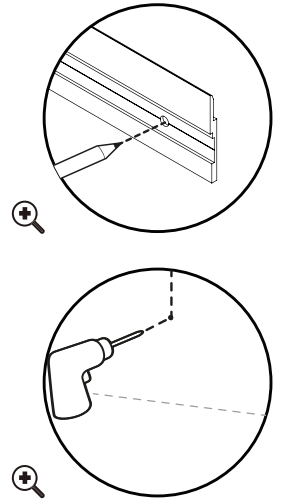
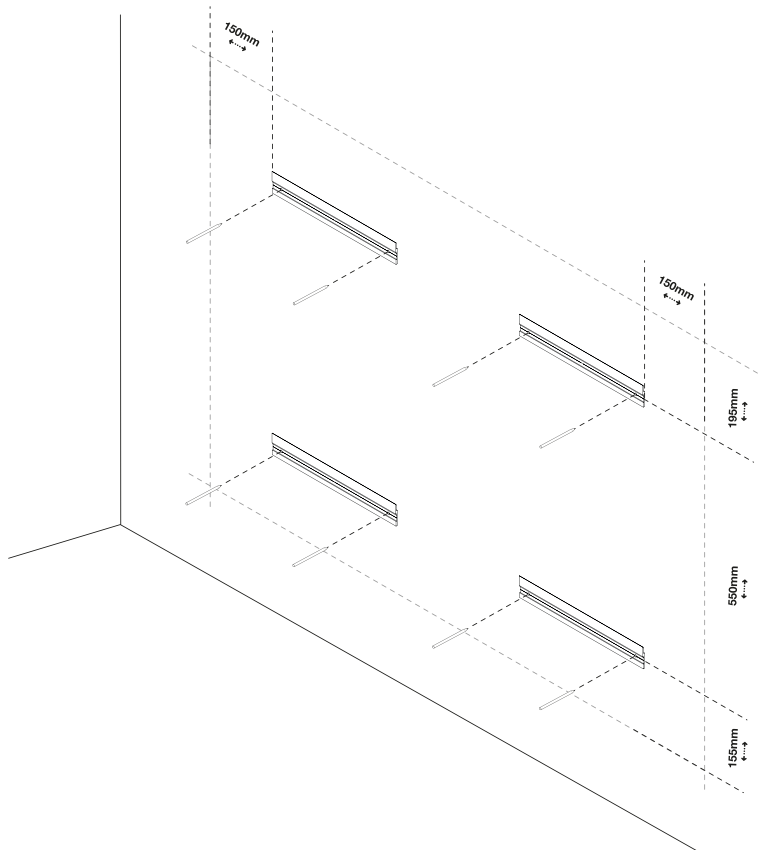
**1**

1x.A.

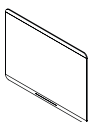


**2**

4x.B.



**A.1x**



**B.4x**



**C.8x**

**SUITABLE FOR SOLID WALLS**



**D.8x**



**C.8x**

**SUITABLE FOR DRYWALL**



**E.1x**



10013802908525



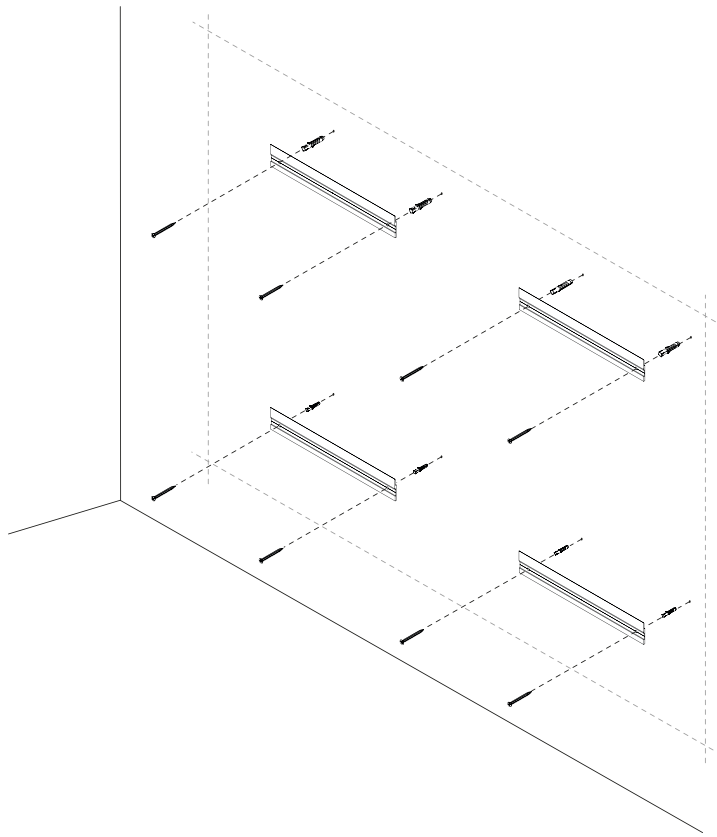
# ACE WHITEBOARD

INSTRUCTIONS • INSTRUCTIES • ISTRUZIONI • ANLEITUNG • INSTRUCCIONES • INSTRUÇÕES



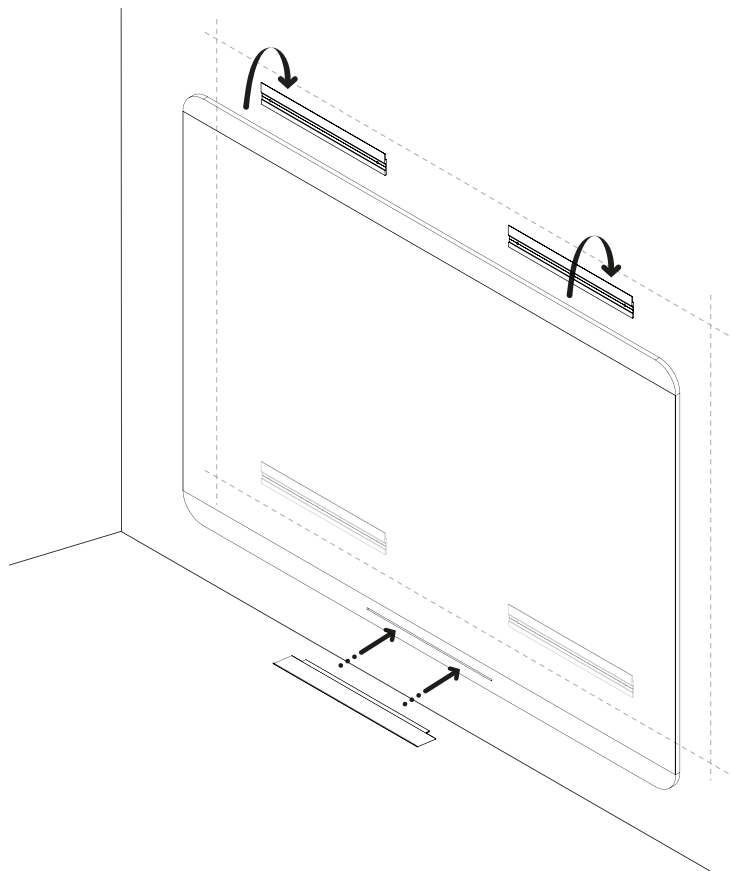
**3**

8x.C.  
8xD.

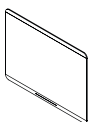


**4**

1xE.



**A.1x**



**B.4x**



**C.8x**



**D.8x**



**C.8x**



**E.1x**



SUITABLE FOR SOLID WALLS

SUITABLE FOR DRYWALL

10013802908525

