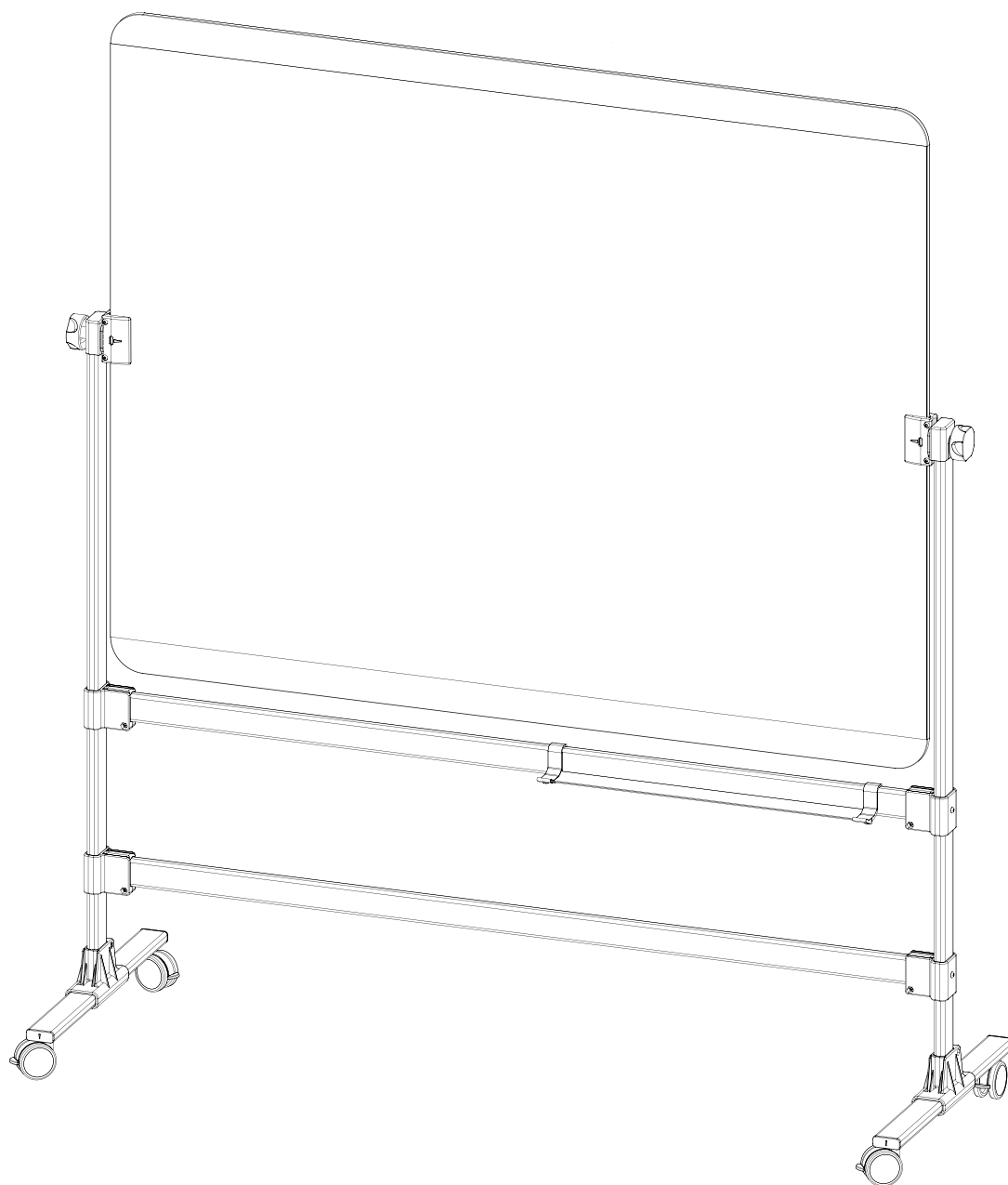


ACE REVOLVING WHITEBOARD

INSTRUCTIONS • INSTRUCTIES • ISTRUZIONI • ANLEITUNG • INSTRUCCIONES • INSTRUÇÕES

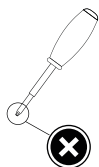


ACE REVOLVING WHITEBOARD

INSTRUCTIONS • INSTRUCTIES • ISTRUZIONI • ANLEITUNG • INSTRUCCIONES • INSTRUÇÕES



NOT INCLUDED



A.2x 	B.12x 	C.2x 	D.6x 	E.1x 	F.4x
G.4x 	H.4x 	I.1x 	J.2x 	K.6x 	L.4x
M.2x 	N.2x 	O.2x 	P.2x 	Q.4x 	R.4x
S.2x 	T.1x 	U.2x 	V.4x 	W.1x 	X.1x
Y.2x 	Z.2x 				



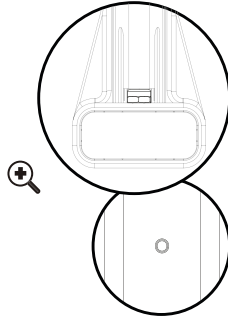
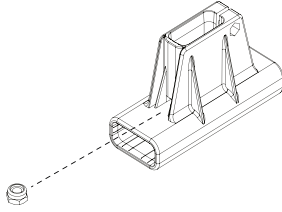
ACE REVOLVING WHITEBOARD

INSTRUCTIONS • INSTRUCTIES • ISTRUZIONI • ANLEITUNG • INSTRUCCIONES • INSTRUÇÕES



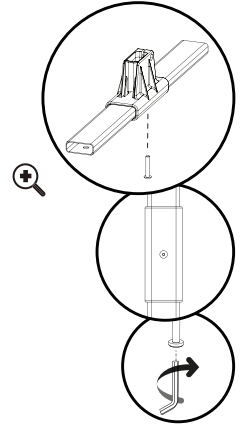
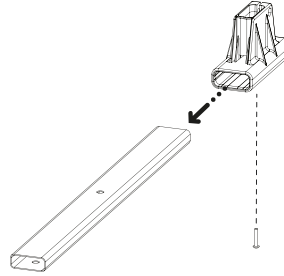
1

2x.A.
2xB.



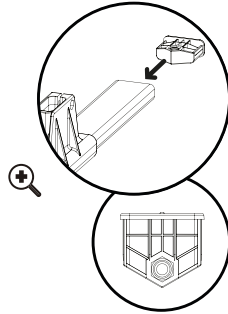
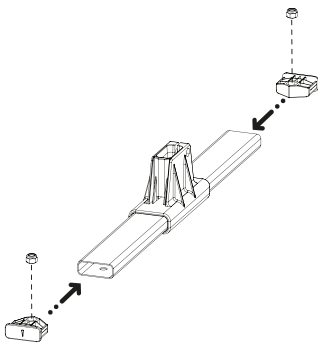
2

2xC.
2xD.
1xE.



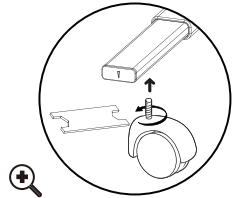
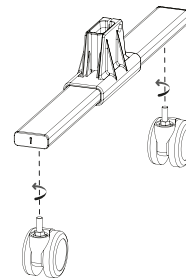
3

4xF.
4xG.



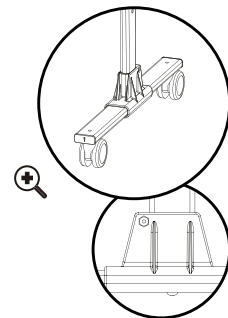
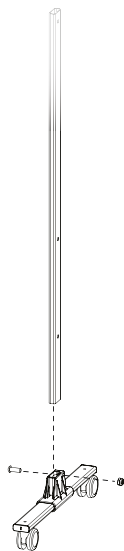
4

4xH.
1xI.



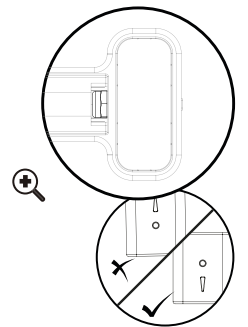
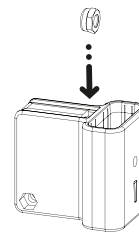
5

2xJ.
2xK.
2xB.
1xE.



6

4xL.
4xB.



10013802908524



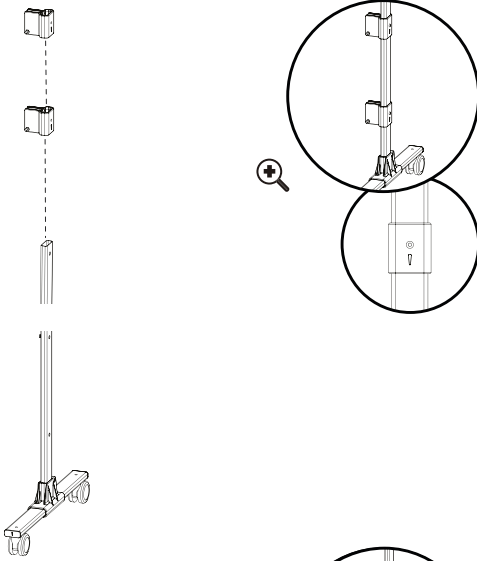
A.2x 	B.12x 	C.2x 	D.6x 	E.1x 	F.4x 	G.4x 	H.4x 	I.1x 	J.2x 	K.6x 	L.4x
M.2x 	N.2x 	O.2x 	P.2x 	Q.4x 	R.4x 	S.2x 	T.1x 	U.2x 	V.4x 	W.1x 	X.1x
Y.2x 	Z.2x 										

ACE REVOLVING WHITEBOARD

INSTRUCTIONS • INSTRUCTIES • ISTRUZIONI • ANLEITUNG • INSTRUCCIONES • INSTRUÇÕES

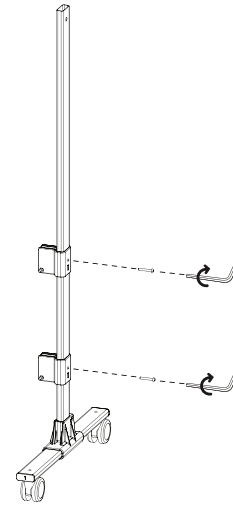


7



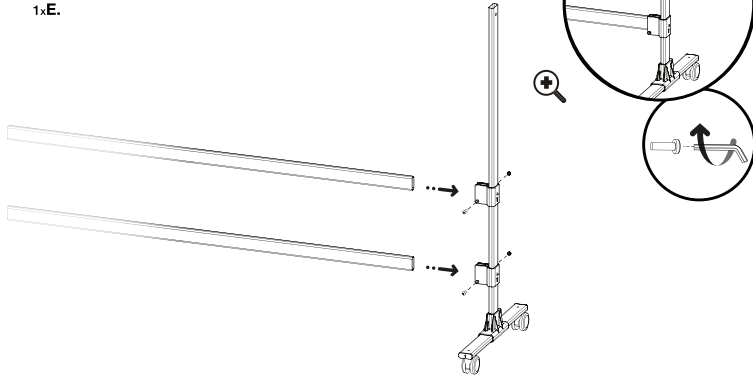
8

4x.D.
1x.E.



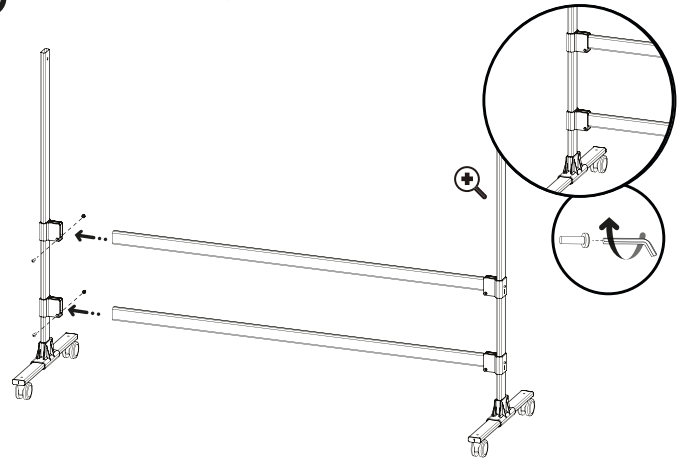
9

2x.M.
2x.K.
2x.B.
1x.E.



10

2x.K.
2x.B.
1x.E.



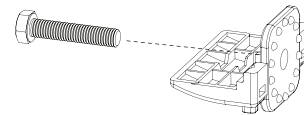
11

2x.N.



12

2x.O.
2x.P.



10013802908524



A.2x 	B.12x 	C.2x 	D.6x 	E.1x 	F.4x 	G.4x 	H.4x 	I.1x 	J.2x 	K.6x 	L.4x
M.2x 	N.2x 	O.2x 	P.2x 	Q.4x 	R.4x 	S.2x 	T.1x 	U.2x 	V.4x 	W.1x 	X.1x
Y.2x 	Z.2x 										

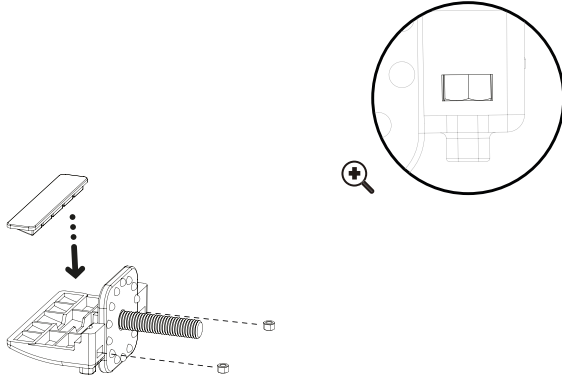
ACE REVOLVING WHITEBOARD

INSTRUCTIONS • INSTRUCTIES • ISTRUZIONI • ANLEITUNG • INSTRUCCIONES • INSTRUÇÕES

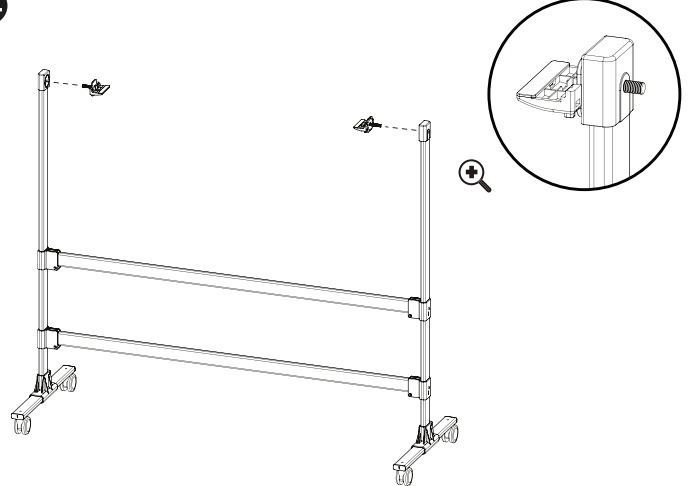


13

2x.Q.
4x.R.

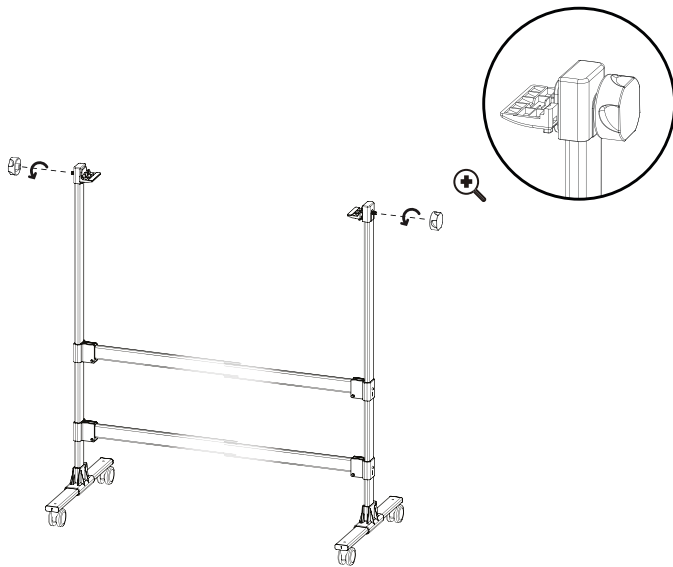


14



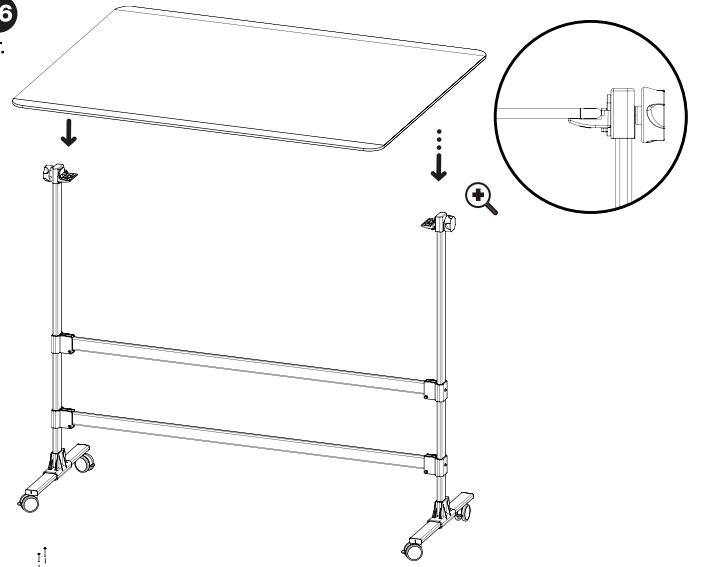
15

2x.S.



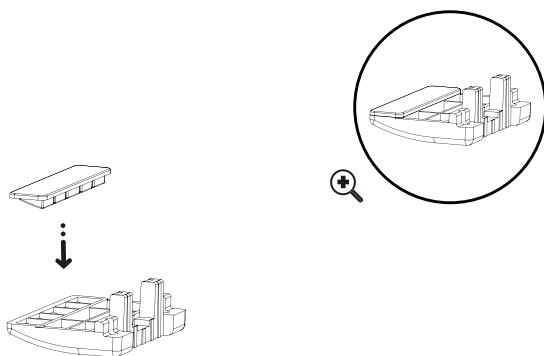
16

1x.T.



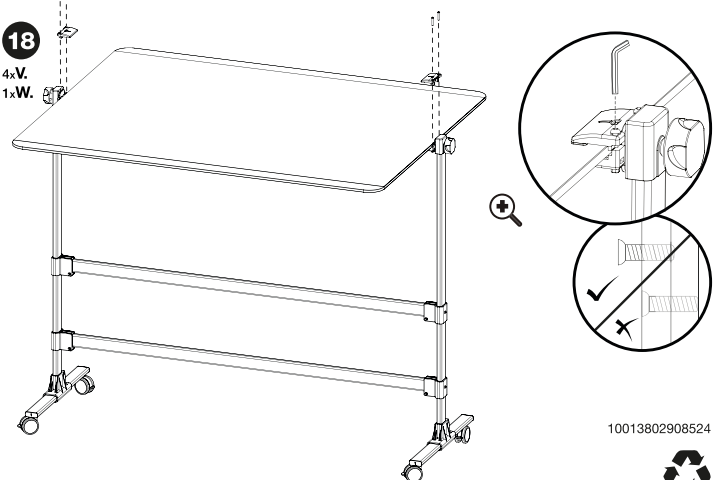
17

2x.U.
2x.Q.



18

4x.V.
1x.W.



10013802908524



A.2x 	B.12x 	C.2x 	D.6x 	E.1x 	F.4x 	G.4x 	H.4x 	I.1x 	J.2x 	K.6x 	L.4x
M.2x 	N.2x 	O.2x 	P.2x 	Q.4x 	R.4x 	S.2x 	T.1x 	U.2x 	V.4x 	W.1x 	X.1x
Y.2x 	Z.2x 										

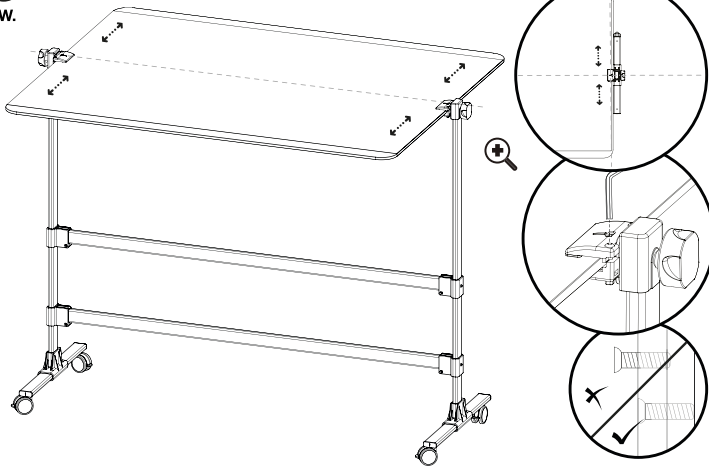
ACE REVOLVING WHITEBOARD

INSTRUCTIONS • INSTRUCTIES • ISTRUZIONI • ANLEITUNG • INSTRUCCIONES • INSTRUÇÕES



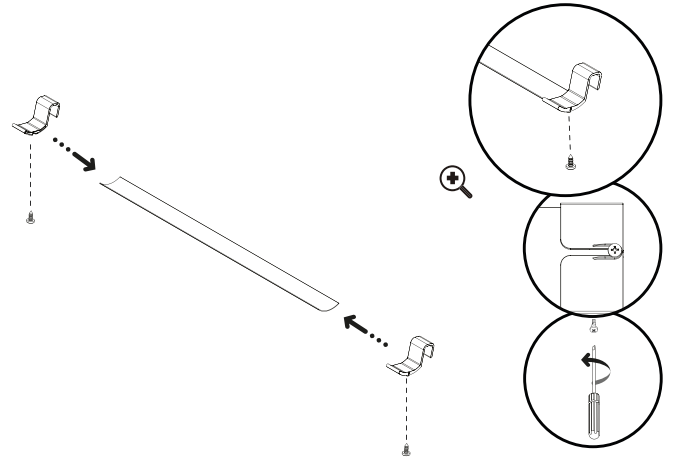
19

1.W.

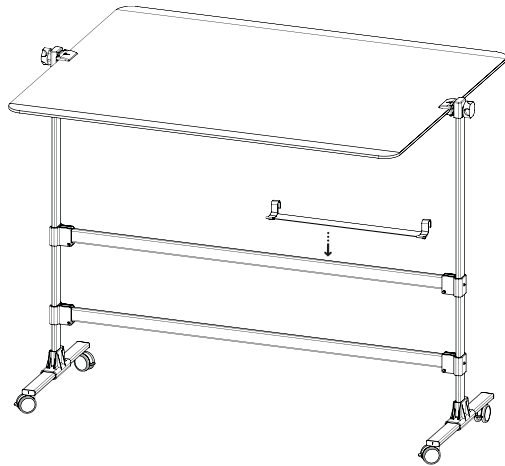


20

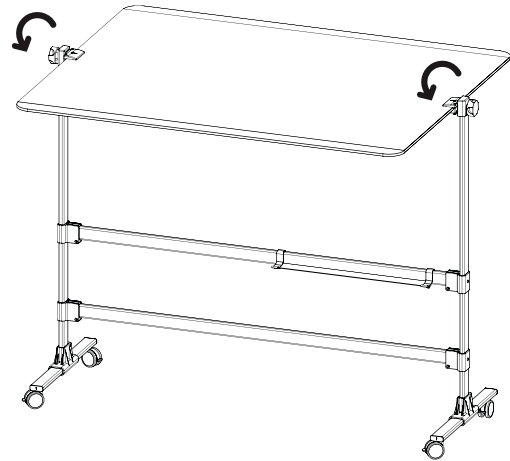
1.X.
2.Y.
2.Z.



21



22



10013802908524



A.2x 	B.12x 	C.2x 	D.6x 	E.1x 	F.4x 	G.4x 	H.4x 	I.1x 	J.2x 	K.6x 	L.4x
M.2x 	N.2x 	O.2x 	P.2x 	Q.4x 	R.4x 	S.2x 	T.1x 	U.2x 	V.4x 	W.1x 	X.1x
Y.2x 	Z.2x 										